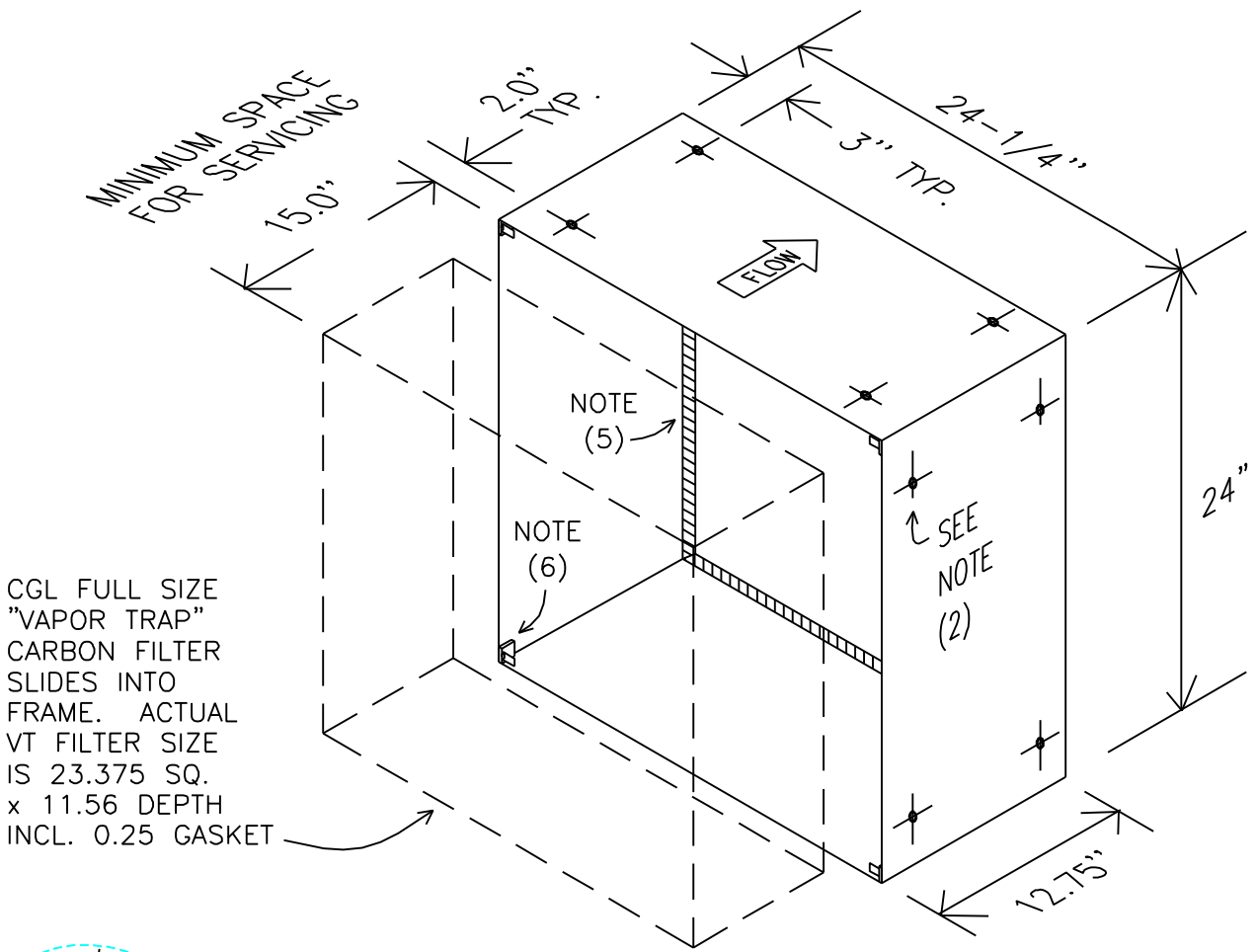
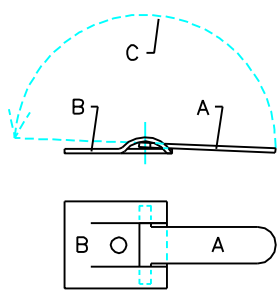


# MODEL FAFF FRONT ACCESS FILTER FRAME



CGL FULL SIZE  
"VAPOR TRAP"  
CARBON FILTER  
SLIDES INTO  
FRAME. ACTUAL  
VT FILTER SIZE  
IS 23.375 SQ.  
x 11.56 DEPTH  
INCL. 0.25 GASKET



**DETAIL FOR SPRING CLIP AT EACH CORNER**  
 A. Base: 1" width x 1.18" length x .125" height  
 with 3/16" dia. mounting hole  
 B. Tongue: 0.42" width x 1.57" length  
 C. Tongue rotates ~ 180° as shown

- FEATURES AND NOTES**
1. Frames can be installed as front or rear access.
  2. Modular frames bolt or pop-rivet together to form banks of any capacity. Four (4) X 0.215" dia. holes are provided on sides, top & bottom to allow easy field connection of modular frames to each other.
  3. Frames can be custom sized to fit into existing air handlers and ducts.
  4. When attaching or stacking frames, use a sealant or gasketing between the frames to avoid air bypass. Gaskets, if used, must be applied to front and back edges of housing to keep joints between frames parallel.
  5. Outlet end of frame has a 3/4" flange both ways to provide a sealing surface for the gasket on the outlet end of the box style CGL Vapor Trap carbon filter. The VT filter slides into the holding frame.
  6. The Vapor Trap filter is pushed toward the back of the housing to seal the gasket by four (4) spring clips. The clips are mounted in each corner as shown.

**MATERIAL OF CONSTRUCTION**  
 16 GA. COLD ROLLED  
 CARBON STEEL WITH  
 ALUMINIZED FINISH  
 OR  
 BLACK COLOR  
 POWDER COAT  
 EPOXY PAINT FINISH

**PROPRIETARY DRAWING**  
 DRAWING MAY NOT BE USED  
 OR REPRODUCED WITHOUT  
 WRITTEN AUTHORIZATION OF  
 CAMERON GREAT LAKES., INC.

DIMENSIONAL TOLERANCE = +/- 0.030 IN.

REV.	DATE	BY	REMARKS
B	07/26/10	JMB	REVISE FRAME WIDTH
B	08/23/05	JMB	REVISE FILTER DEPTH
A	07/21/05	JMB	REVISE FINISH OPTIONS

**CAMERON GREAT LAKES, INC.**  
 2335 NW 29th AVE      PORTLAND, OR 97210  
 TEL: 800-777-4044      FAX: 503-225-0137

DRAWN: JMB	TITLE: MODEL FAFF - FRONT ACCESS FILTER FRAME FOR SIZE 242412 VAPOR TRAP CARBON FILTER
CHECKED: PJL	
APPROVED: RAH	
SCALE: N.T.S.	DWG NO. FAFF-VT-242412