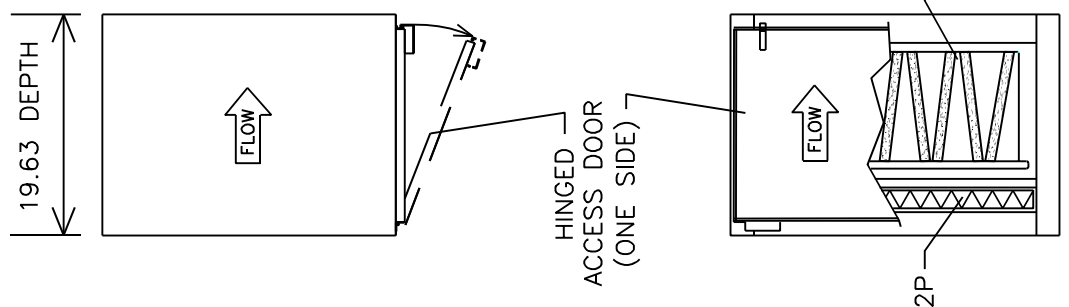


END VIEW FACING OUTLET

MODEL NO. SA1H1W-2P-VT	
SA	- SIDE ACCESS HOUSING
1H	- 1 MODULE HIGH
1W	- 1 MODULE WIDE
2P	- 2 IN. DEPTH PREFILTER *
VT	- VAPOR TRAP FILTER MODULE

APPROXIMATE WEIGHTS:
 VAPOR TRAP FILTER MODULE FILLED WITH GAC-ZK6 BLEND (LBS.): 72
 + APPROX. EMPTY HOUSING WEIGHT 146
 + 2" DEPTH PREFILTER * 2
 TOTAL APPROX. OPERATING WEIGHT 220

HSG MATERIAL - 16 GA. CR CARBON STEEL,
 STITCH WELDED & CALUKED. STANDARD
 FINISH: ALUMINIZED INSIDE & OUT. OPTIONAL
 FINISH: URETHANE ENAMEL (SPECIFY COLOR)

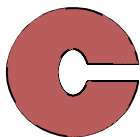


VT - VAPOR TRAP FILTER MODULE
 NOM. FULL SIZE - 24 x 24 x 12
 FILLED WITH GAC-ZK6 BLEND

2P - PRE-FILTER TRACK - NOMINAL
 SIZE 24 x 24 x 2" DEPTH
 (*) PREFILTER PROVIDED BY OTHERS

2000 CFM MAXIMUM AIR FLOW

PROPRIETARY DRAWING DRAWING MAY NOT BE USED OR REPRODUCED WITHOUT WRITTEN AUTHORIZATION OF CGL, INC.			
DIMENSIONS ARE FOR REFERENCE ONLY. DO NOT USE FOR CONSTRUCTION UNLESS MARKED "CERTIFIED" BY CGL.			
B	07/20/09	JMB	REV. NOTES
A	03/09/04	JMB	REV. AIR FLOW
--	03/03/04	JMB	ORIGINAL ISSUE
REV.	DATE	BY	REMARKS



CAMERON GREAT LAKES, INC.
 2336 NW 29th AVE. TEL. 800-777-4044
 PORTLAND, OR 97210 FAX 503-225-0137

DRAWN:	JMB	TITLE:	GENERAL ARRANGEMENT
CHECKED:	PJL		MODEL NO. SA1H1W-2P-VT
APPROVED:	JMB		SIDE ACCESS FILTER HOUSING
SCALE:	N.T.S.	DWG NO.	SA1H1W-2P-VT