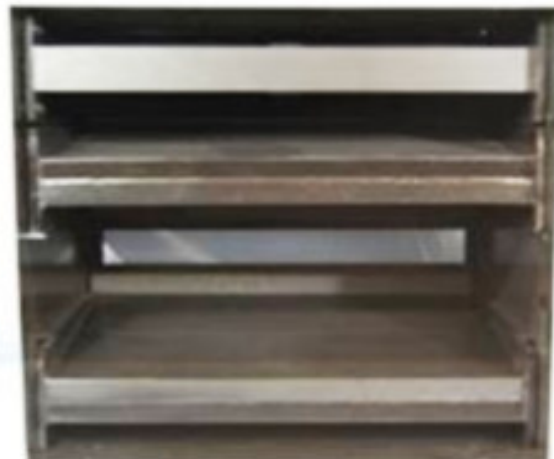
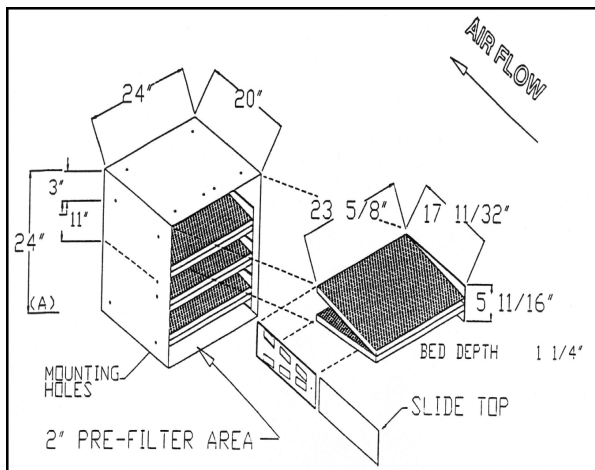


CAMERON GREAT LAKES, INC.

MOLECULAR FILTRATION SPECIALISTS

CGL/20 Front Load Housing

The CGL/20 Front Load Housing is designed for use in both commercial and industrial applications. It is used in conjunction with the CGL/MRM18 Modules and comes complete with a built in space for a 2 inch pre-filter. The single housing is rated for a maximum airflow of 2000 CFM and holds four of the MRM18 Modules. The modular design allows for built up banks to accommodate higher airflow. Its 20" depth makes it ideal for use in applications where space is limited.



SPECIFICATIONS	WEIGHTS
Housing: 16 gauge CRS w/ black powder finish	39 pounds
Housing with 4 MRM18 empty modules	71 pounds
Housing with 4 MRM18 modules with standard carbon	147 pounds
Housing with 4 MRM18 modules filled with ZK6 media	223 pounds

2335 NW 29TH AVENUE, PORTLAND, OR 97210
PHONE: (800) 777-4044 FAX: (503) 225-0137

WWW.CAMERONGREATLAKES.COM
EMAIL: SALES@CGLCARBON.COM