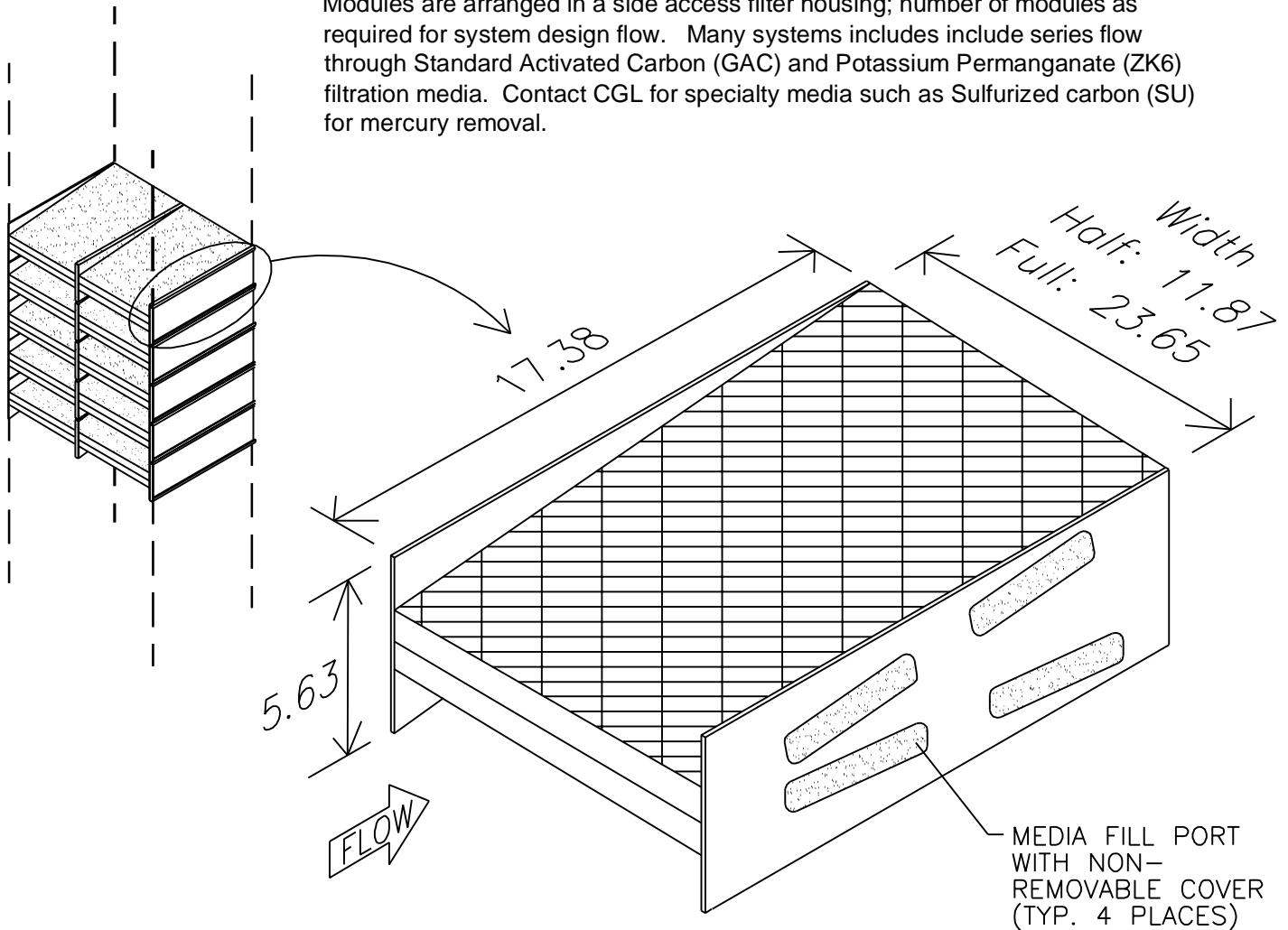


PDM-18 FILTER MODULE

Available in HALF Size (11.87" Width) and FULL Size (23.65" Width)

TYPICAL INSTALLATION

Modules are arranged in a side access filter housing; number of modules as required for system design flow. Many systems include series flow through Standard Activated Carbon (GAC) and Potassium Permanganate (ZK6) filtration media. Contact CGL for specialty media such as Sulfurized carbon (SU) for mercury removal.

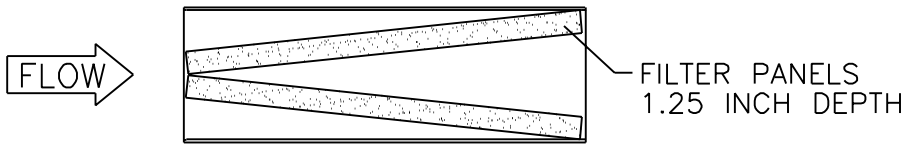


DATA FOR FULL SIZE (23.65" W) MODULE *

MODULE FILL MEDIA	GAC	ZK6
NO. OF FILTER BEDS	2	2
MAXIMUM FLOW (CFM)	500	500
APPROX. WEIGHTS (LBS.):		
EMPTY MODULE	4	4
FILL MEDIA	18	36
TOTAL WEIGHT	22	40

MATERIALS OF CONSTRUCTION
0.100 POLYSTYRENE FRAME WITH .056 x .500 SLOTTED SCREENS.

PRESSURE DROP AT 500 CFM FLOW = 0.5 IN.W.G.
MODULE IS INCINERABLE



INTERNAL VIEW SHOWING "V" BANK FILTER BED ARRANGEMENT

* HALF SIZE (11.87" W) FILTER IS RATED for 250 CFM w/HALF AS MUCH MEDIA

DIMENSIONS ARE FOR REFERENCE ONLY. DO NOT USE FOR CONSTRUCTION UNLESS MARKED "CERTIFIED" BY CGL.

PROPRIETARY DRAWING			
DRAWING MAY NOT BE USED OR REPRODUCED WITHOUT WRITTEN AUTHORIZATION OF CAMERON GREAT LAKES, INC.			
TOLERANCES: LENGTH: +/- 0.125 IN.			
B	6/10	JMB	Corrected filter data
A	5/10	JMB	Add FULL SIZE filter data
--	6/03	JMB	ORIGINAL ISSUE
REV.	DATE	BY	REMARKS

	CAMERON GREAT LAKES, INC.	
	2335 NW 29th Ave. TEL: 800-777-4044	Portland, OR 09210 FAX: 503-225-0137
DRAWN: JMB	CHECKED: PJL	TITLE: GENERAL ARRANGEMENT HALF & FULL SIZE PDM-18 PLASTIC DISPOSABLE MODULE
APPROVED: RAH		SCALE: N.T.S. DRAWING NO. PDM-18