

CAMERON GREAT LAKES, INC.

MOLECULAR FILTRATION SPECIALISTS

VAPOR SCRUB "MI" Adsorbers with Metal Internals

Models VS30-80MI - VS55-160MI - VS85-250MI - VS110-325MI

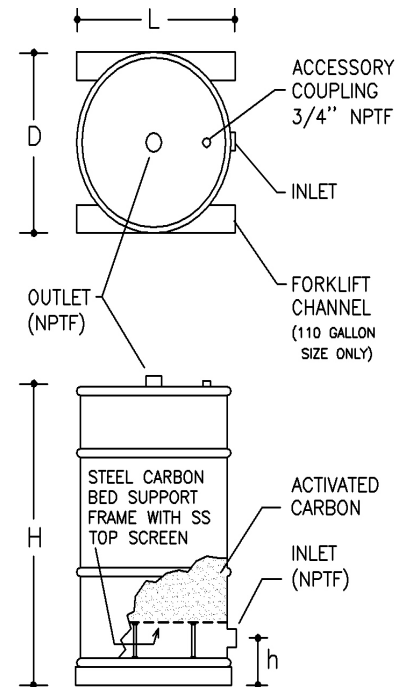
CGL Vapor Scrub MI units, filled with high quality Cameron Great Lakes activated carbon, are designed for effective purification of your vapor waste or process stream. CGL Vapor Scrub MI units have a proven ability to remove organic contaminants to non-detectable levels.

CGL Vapor Scrub MI units are constructed of heavy-duty mild steel and are lined with doubled layered epoxy coatings. Forklift channels are provided on VS-110MI models. Adsorber internals consist of a rugged steel carbon bed support frame and a field replaceable stainless steel top screen. Upflow operation is standard.

For ease in maintenance, spent carbon can be removed on site by hand or vacuuming out by removing the vessel top head. Alternatively, the spent vessel can be shipped off site for reactivation service or disposal. (Please contact your nearest CGL office or representative for additional information on disposal and service options.)

SPECIFICATIONS - "MI" ADSORBERS

Model VS	30-80	55-160	85-250	110-325
H - height, in.	30	36	40	46
D - diameter, in.	19	24	26	32
L - length, in.	na	na	na	32
h - height, in.	4.3	6	5	8
Inlet & Outlet Connection, in.	2	2	3	4
Flow Range, cfm*	60-100	80-150	110-200	160-300
Pressure Drop Range, in. w.g.	2.3-6.8	2.7-8.0	3.0-9.0	3.4-10.3
Max Pressure, psig	8	8	8	8
Max Temp, deg. F **	250	250	250	250
Carbon Capacity, lbs. +	80	160	250	325
Carbon Volume, cu. ft.	3.9	7.1	10.0	16.1
Shipping Weight, lbs.	130	230	330	560



* Based on face velocity range of 30 to 55 fpm/sq. ft. bed area. System design may be dictated by inlet chemistry and required residence time.

** "MI" Units with metal internals can physically withstand a maximum inlet air temp of 250° F. However, the adsorption capacity of activated carbon decreases significantly at operating temperatures over 125° F.

+ Carbon capacity for standard carbon at 30 lb/cu.ft. density. Add 14% to media weight for Type "CI" (caustic impregnated) carbon. Contact CGL for engineering assistance for applications requiring other types of media or media blends.

2335 NW 29TH AVENUE, PORTLAND, OR 97210
PHONE: (800) 777-4044 FAX: (503) 225-0137

WWW.CAMERONGREATLAKES.COM
EMAIL: SALES@CGLCARBON.COM